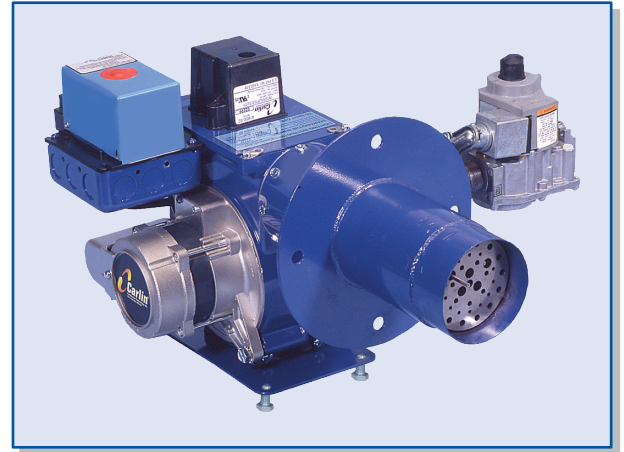


Carlin[®]
Combustion Technology, Inc.

MODEL **EZ-Gas**[™]
Power Gas Burner

50,000 TO 275,000 BTUH

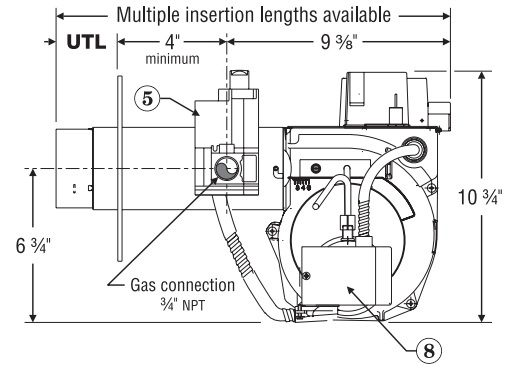
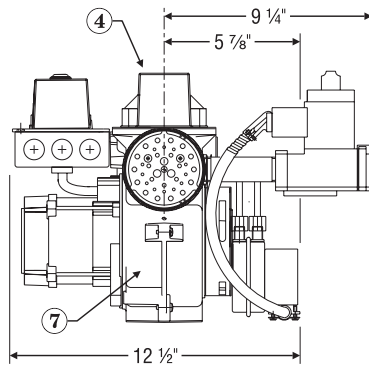
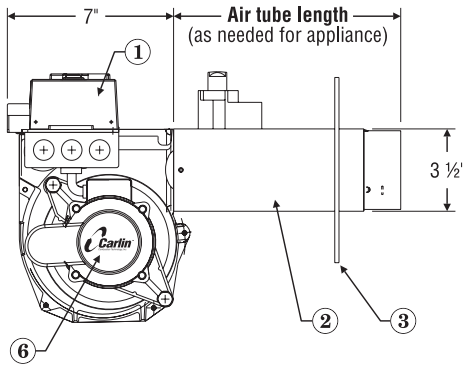
The IDEAL
burner
for even the
toughest
applications



CARLIN. THE TECHNOLOGY LEADER.



Carlin EZ-Gas Power Gas Burner



- ① Carlin 60200FR microprocessor control
- ② Air tube
- ③ Flange (selected to meet appliance requirements)
- ④ Carlin 41800 solid state ignitor
- ⑤ Combination gas valve
- ⑥ Carlin PSC motor
- ⑦ Cast aluminum blower housing
- ⑧ Air flow proving switch

Features

- Converts from propane to natural gas with just an orifice change — no conversion kit needed
- Fires negative or positive chambers from 50,000 to 275,000 Btuh input
- Provides dependable, direct-spark ignition of main flame — for quick, clean light-offs
- Comes standard with time-tested solid state ignition and state-of-the-art microprocessor control technology
- Factory-packaged with combustion control and gas fuel train
- Shipped completely assembled and wired — for “EZ” installation and start-up
- Diagnostic LED lights annunciate operating mode: Self-check, Flame-on, Recycle, Lockout and Latch-up
- High-efficiency, compact flame pattern design ensures clean, quiet operation
- Does not require a refractory liner — fires with or without a combustion chamber
- Available with custom welded air tube flange (and/or optional pedestal) to accommodate most appliance mounting requirements
- Includes 1-year warranty

Specifications

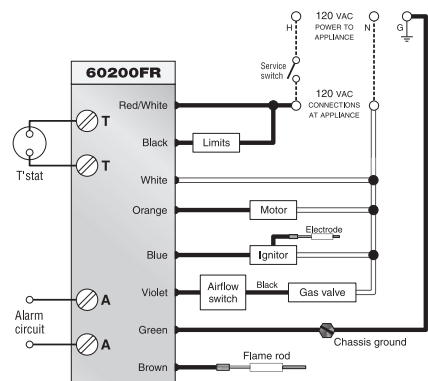
- **Input**
.....50,000 to 275,000 Btuh
- **Fuels**
..... Natural gas or propane gas
Maximum supply pressure..... 14 inches w.c.
Minimum supply pressure..... 5.0 inches w.c.
Manifold pressure 3.5 inches w.c.
- **Electrical**
Power 120 VAC/60 HZ/1-PHASE
Limit circuit input..... 120 VAC/60 HZ
Motor 1/15 HP, 3450 RPM
Current..... Approximately 2.0 AMPS
Fuel valve power 120 VAC/60 HZ
- **Ignition**
Carlin Model 41800 solid state electronic ignitor
Ignition voltage9,000 VOLTS
- **Control**
..... Carlin Model 60200FR microprocessor control.....
 - 4-sec. Trial for ignition (TFI)
 - 1.3-sec. FFRT
 - Pre-purge and post-purge
 - Serviceman reset protection (Latch-up after three consecutive lock-outs)
 - Interrupted duty ignition
 - Recycle on flame failure
- **Agencies**
UL Listed (United States) ... per ANSI Z21.17
MEA approval #137-05-E

Orifice selection

Input Btuh	Orifice drill size		Air band	
	Natural gas	Propane gas	Slots	Approximate Setting (note)
50,000	5/32	1/8	1	5 %
75,000	3/16	9/64	1	5 %
100,000	7/32	11/64	1	20 %
125,000	1/4	13/64	1	30 %
150,000	9/32	7/32	1	45 %
175,000	5/16	1/4	2	30 %
200,000	5/16	1/4	2	35 %
225,000	11/32	9/32	2	45 %
250,000	13/32	5/16	2	55 %
275,000	7/16	11/32	2	75 %

Note: Air band setting is approximate only. Follow burner manual and appliance manual instructions to adjust burner using combustion test instruments.

Wiring



TECH SUPPORT HOTLINE 800-989-2275



Carlin Combustion Technology, Inc.

70 Maple Street East Longmeadow, MA 01028 Phone 413-525-7700 Fax 413-525-8306
e-mail us at: info@carlincombustion.com visit our website: www.carlincombustion.com

